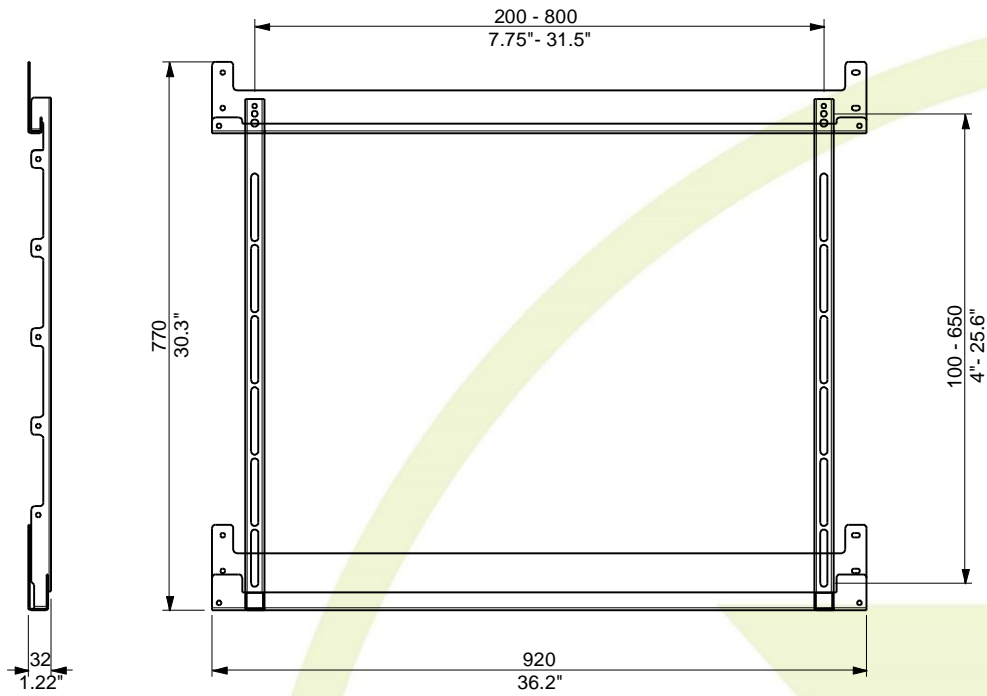
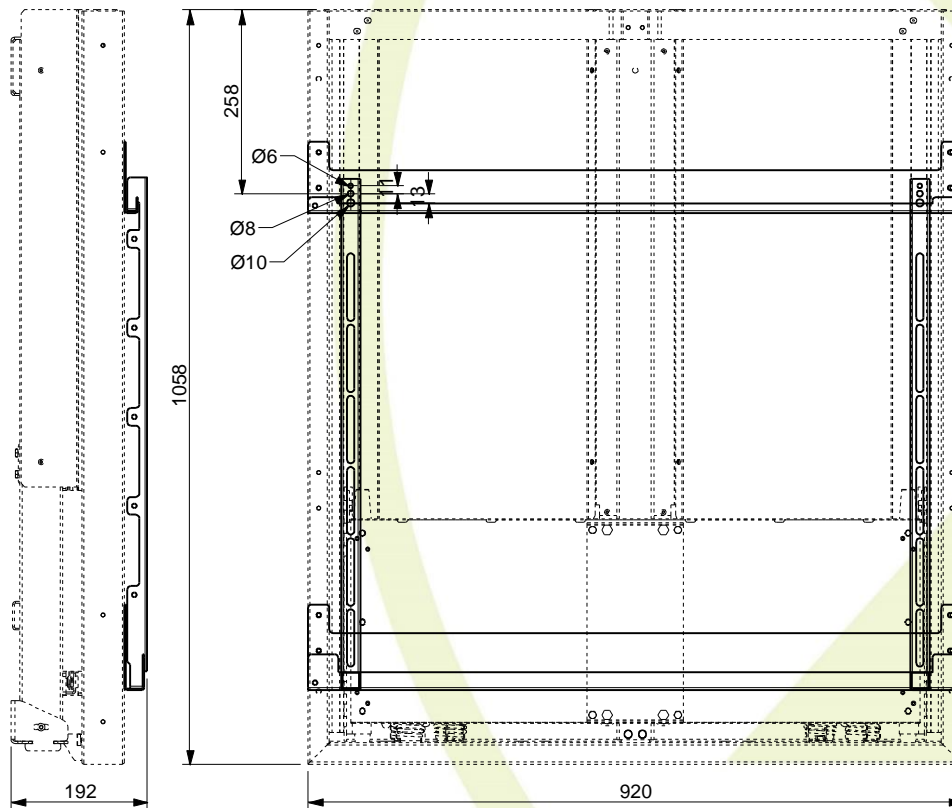


Dimensions:



Dimensions mounted on BalanceBox® 650 (not included)



Screen mounting hardware included metric: M6, M8, M10

Touchscreen Mounting Interface

for the BalanceBox® 650

Product Specifications				Shipping dimensions					
		metric		US / imperial		metric		US / imperial	
		value	units	value	units	value	units	value	units
Length		920	mm	36.2	inch	945	mm	37.20	inch
Height		770	mm	30.3	inch	135	mm	5.30	inch
Depth		32	mm	1.22	inch	45	mm	1.77	inch
Weight		4,4	kg	9.25	lbs	4,8	kg	10.1	lbs
Max load capacity		200	kg	440	lbs				
Material	Sheet steel								
Finish	Powdercoated black RAL9005								
Order number	481A19								

BalanceBox® 650 Selection guide by screen weight							
		metric		US / imperial		Choose BalanceBox®	Order nr.
from - to	units	from - to	units				
29,4 – 65,4	kg	64.7 – 143.8	lbs	BalanceBox® 650 - 80		484A07	
62,4 – 122,4	kg	137.3 – 269.2	lbs	BalanceBox® 650 - 130		484A08	
89,4 – 164,4	kg	196.7 – 361.5	lbs	BalanceBox® 650 - 180		484A09	
< 29,4	kg	< 64.7	lbs	Choose BalanceBox® 400			