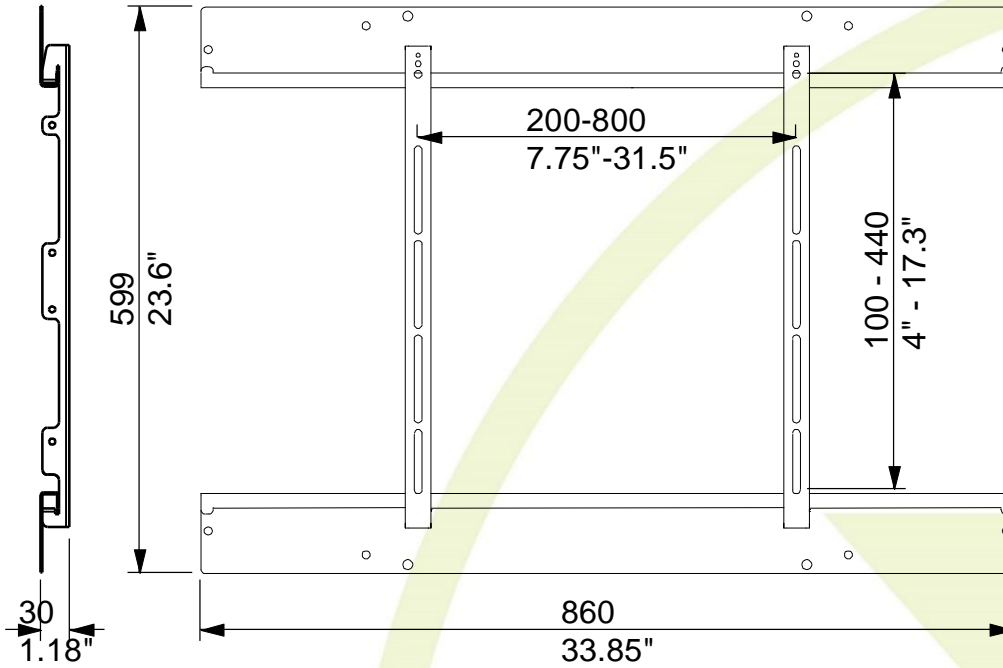
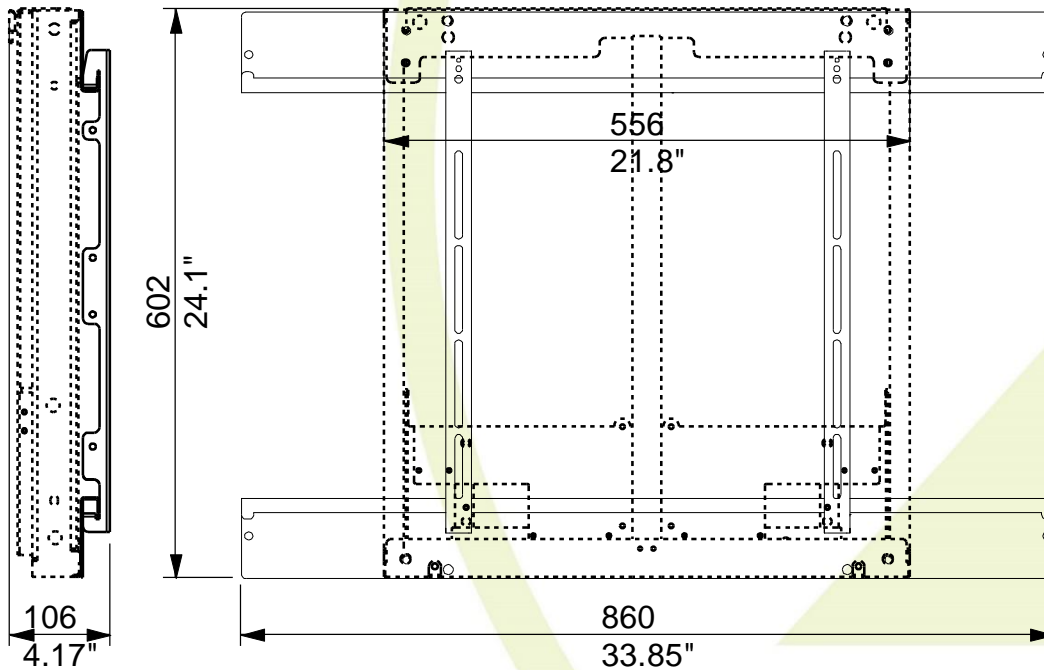


Dimensions:



Dimensions mounted on BalanceBox® 400 (not included)



Screen mounting hardware included metric: M4, M6, M8

Touchscreen Mounting Interface for the BalanceBox® 400

Product Specifications				Shipping dimensions					
		metric		US / imperial		metric		US / imperial	
		value	units	value	units	value	units	value	units
Length		860	mm	33.85	inch	945	mm	37.20	inch
Height		599	mm	23.60	inch	135	mm	5.30	inch
Depth		30	mm	1.18	inch	45	mm	1.77	inch
Weight		4,2	kg	9.25	lbs	4,6	kg	10.1	lbs
Max load capacity		95	kg	210	lbs				
Material	Sheet steel								
Finish	Powdercoated black RAL9005								

BalanceBox® 400 Selection guide by screen weight						
		metric		US / imperial		
from - to	units	from - to	units	Choose BalanceBox®	Order nr.	
<20	kg	<44	lbs	n.a.	n.a.	
20-38	kg	44-83	lbs	BalanceBox® 400 - 40	480A03	
38-66	kg	83-145	lbs	BalanceBox® 400 - 70	480A02	
66-91	kg	145-200	lbs	BalanceBox® 400 - 90	480A03	
>91	kg	>200	lbs	Choose BalanceBox® 650		