

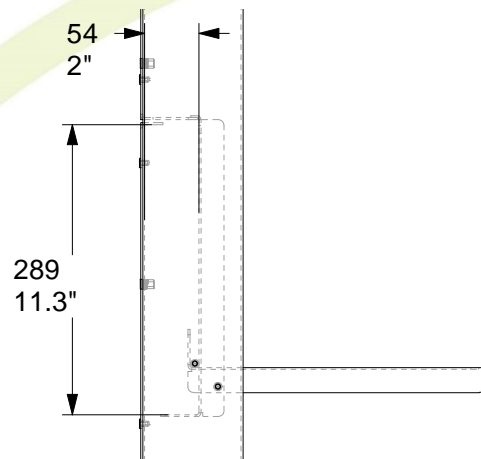
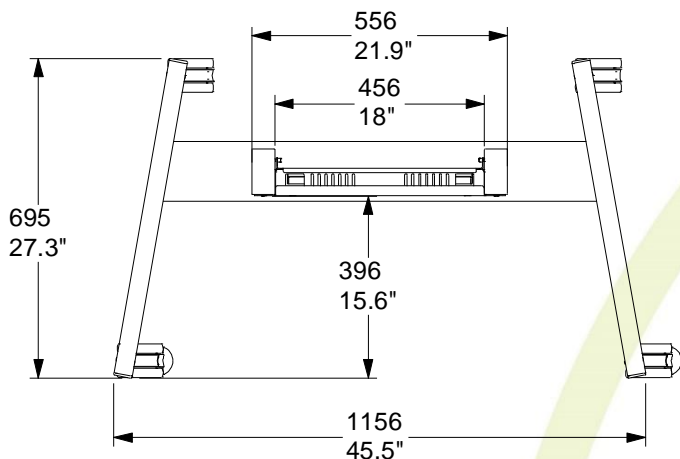
Product Dimensions:

**Compatible with:**

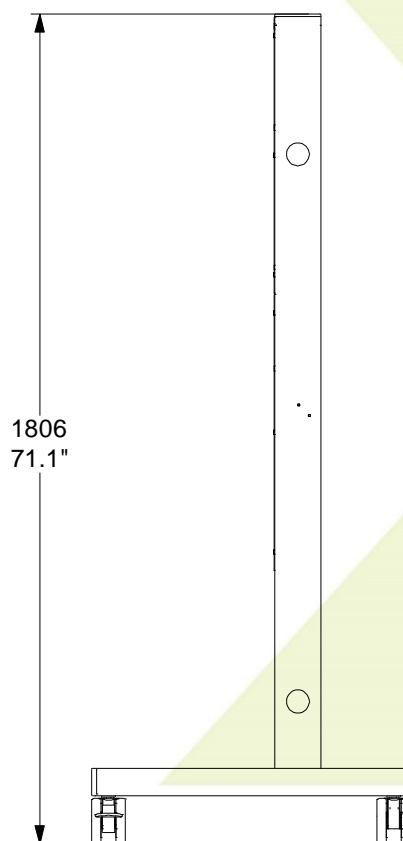
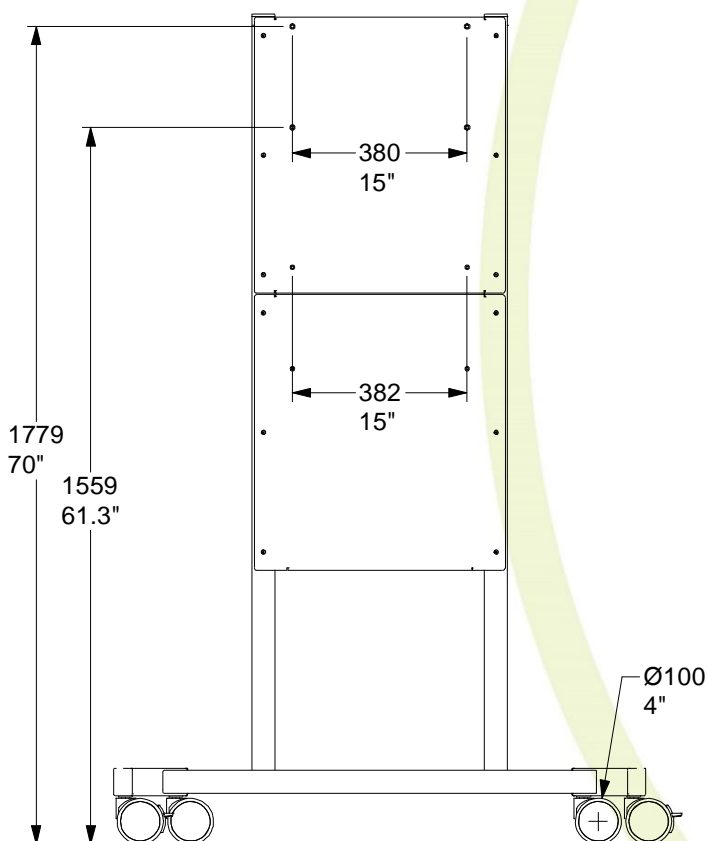
- BalanceBox® 400
- BalanceBox® 400H

Compatibility with BalanceBox® tilt is limited, please refer to our product warnings sheet.

For Touchscreen and Interactive whiteboard applications.



Integrated laptop shelf, can be closed with a padlock in up position (padlock not included) for mini computer or laptop.



	Product Specifications 481A31002 Mobile stand for BalanceBox® 400		Shipping dimensions	
	metric value units	US / imperial value units	metric value units	US / imperial value units
<b>Length</b>	1806 mm	71 inch	1800 mm	70.8 inch
<b>Width</b>	1156 mm	45.5 inch	720 mm	28.3 inch
<b>Depth</b>	695 mm	27.3 inch	180 mm	7 inch
			45 kg	99 lbs
<b>Load capacity</b>	125 kg	209 lbs		
<b>Wheels diam.</b>	100 mm	4 inch		
<b>Material</b>	Steel frame			
<b>Finish</b>	Powder coated in colour: Black RAL9005			

- For BalanceBox 400 and 400H for touchscreen and Interactive whiteboard applications.
- Use only with BalanceBox® accessories
- Use with BalanceBox® Tilt is limited, please refer to our warnings datasheet
- 50mm / 2" holes in frame for cable ducting
- Integrated laptop shelf doubles as lockable mini computer or laptop enclosure (padlock not included)
- 100 mm / 4" black nylon wheels with non marking PU tires