

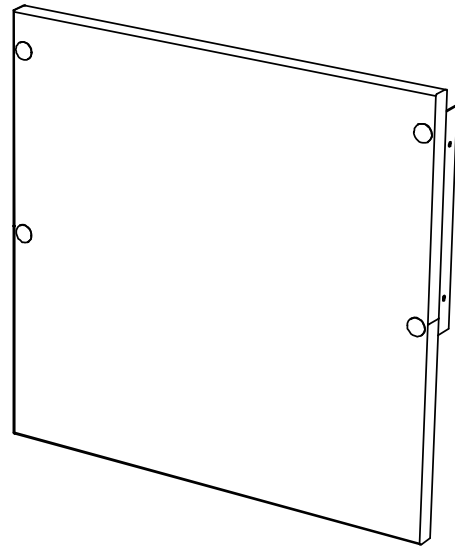
Universal projector plate MDF

for the BalanceBox® 400H
 Product datasheet

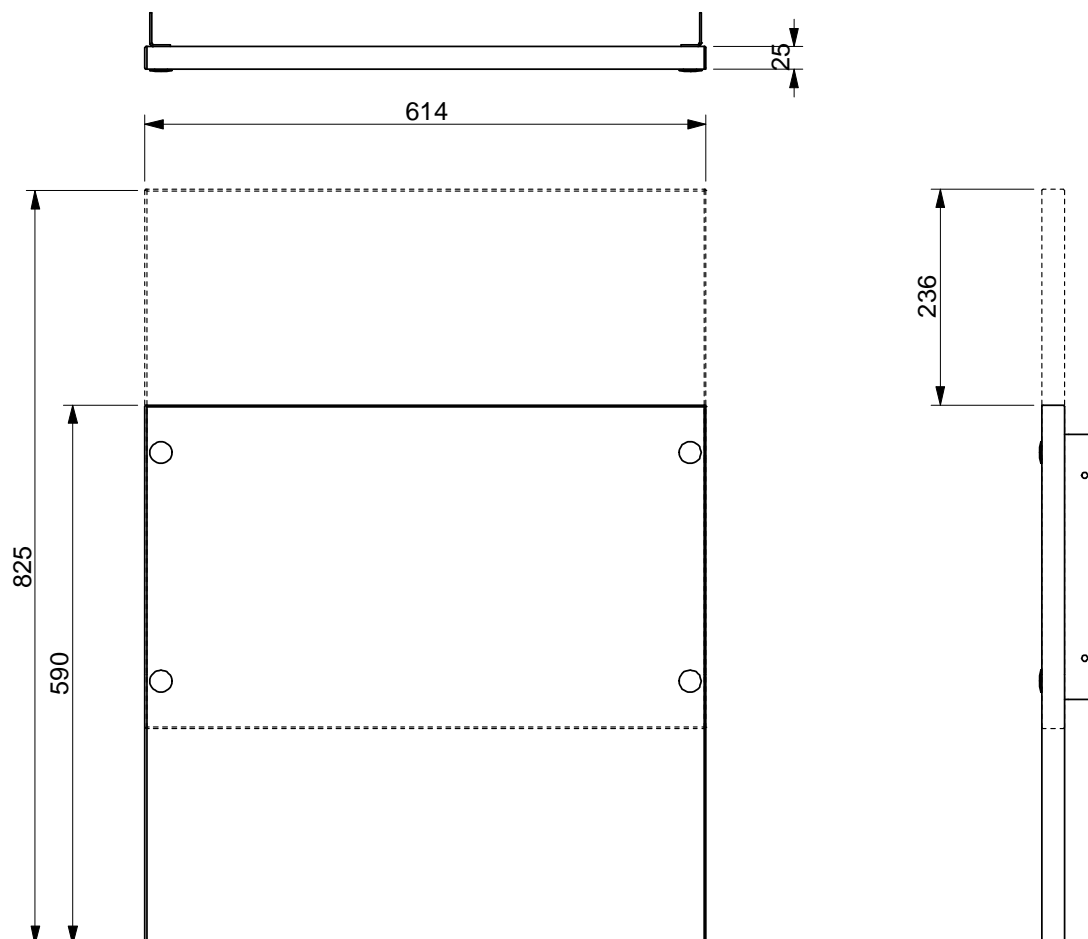
For use with 481A35 Universal whiteboard frame and 481A24 SMART™ whiteboard frame for BalanceBox 400H.

Installer will drill holes for projector mounting pattern and mount projector on to 25 mm (1") medium density fibre board (MDF).

Plate can be used both sides (if projector is replaced) and can be reversed for additional height.



Dimensions:



Mounting hardware, brackets, drill and plastic caps included (metric: M5, M6).



Universal projector plate MDF

for the BalanceBox® 400H

Product Specifications					Shipping dimensions				
		metric		US / imperial		metric		US / imperial	
		value	units	value	units	value	units	value	units
Length		614	mm	24.2	inch	945	mm	37.20	inch
Height		590	mm	23.2	inch	135	mm	5.30	inch
Depth		25	mm	1	inch	45	mm	1.77	inch
Weight		6,9	kg	15.2	lbs	7,8	kg	17.1	lbs
Material	Medium density fibre board (MDF) Laminated with ABS edging								
Finish	White (close to RAL9003)								

The information in this leaflet can be subject to changes.