

## Mobile stand LWB

for the BalanceBox® 400

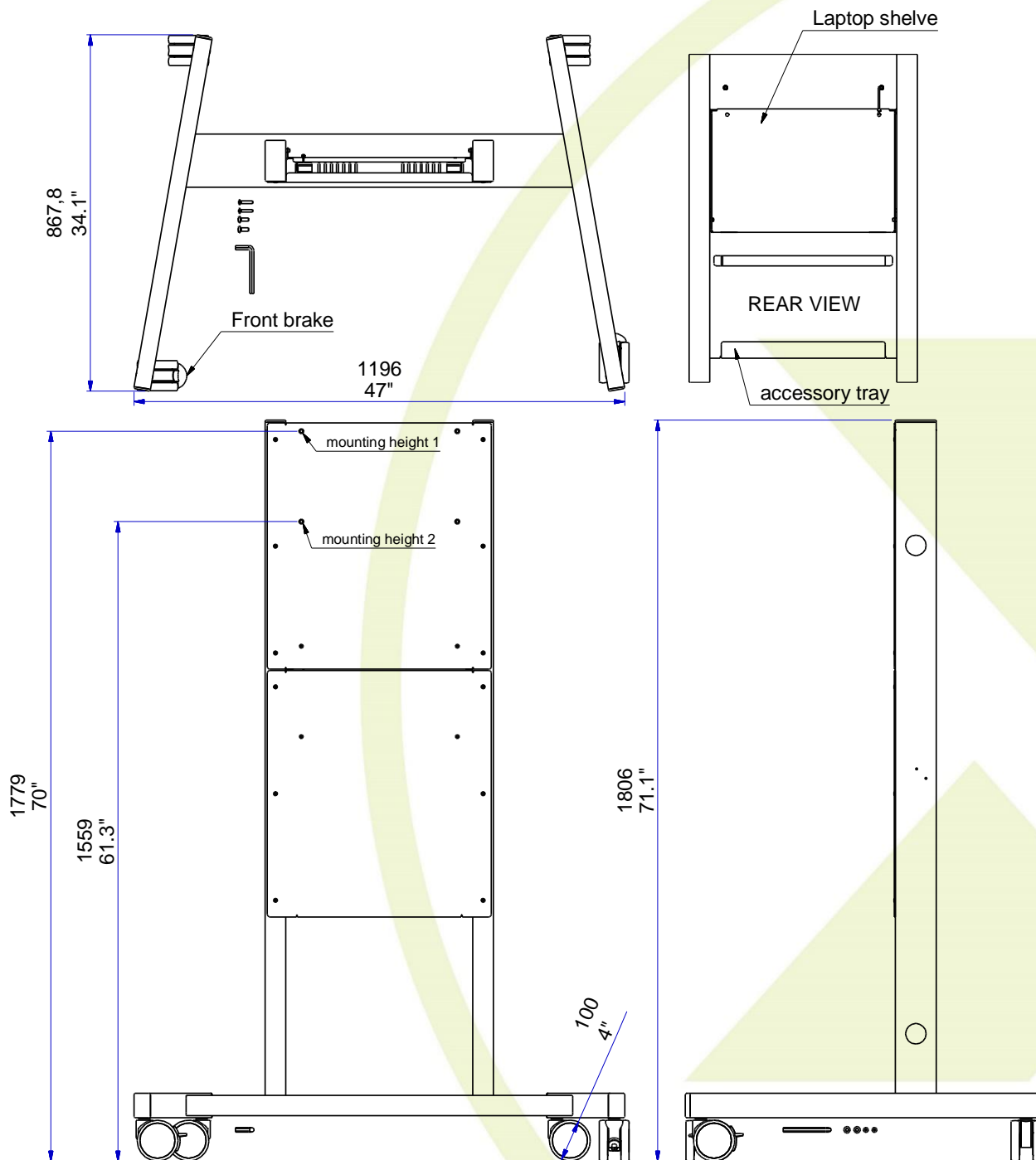
Product datasheet

Product Dimensions:

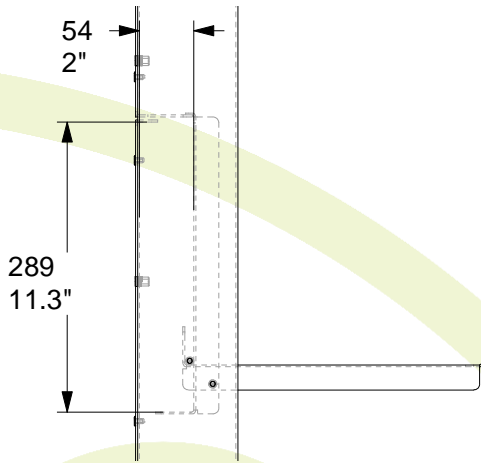
**Compatible with:**

- BalanceBox® 400
- BalanceBox® 400H

Compatibility with BalanceBox® tilt is limited, please refer to our product warnings sheet.



V:20170313



Integrated laptop shelf, can be closed with a padlock in up position (padlock not included) for mini computer or laptop.

Product Specifications 481A47002 Mobile stand for BalanceBox® 400				Shipping dimensions				
	metric		US / imperial		metric		US / imperial	
	value	units	value	units	value	units	value	units
<b>Length</b>	1806 mm		71.1 inch		1800 mm		70.8 inch	
<b>Width</b>	1196 mm		47 inch		900 mm		35.4 inch	
<b>Depth</b>	868 mm		34.1 inch		180 mm		7 inch	
<b>Weight</b>					47 kg		103.4 lbs	
<b>Wheel diameter</b>	100 mm		4 inch					
<b>Load capacity</b>	125 Kg		209 Lbs					
<b>Material</b>	Steel frame							
<b>Finish</b>	Powder coated in colour: Black RAL9005							

- For BalanceBox 400 for touchpanels 55" to 70"
- Use only with BalanceBox accessories
- Use with BalanceBox® Tilt is limited, please refer to our warnings datasheet
- 50mm / 2" holes in frame for cable ducting
- Integrated laptop shelf doubles as lockable mini computer or laptop enclosure (padlock not included)
- 100 mm / 4" black nylon wheels with non marking PU tires
- Product certification: CE and UL recognized component

