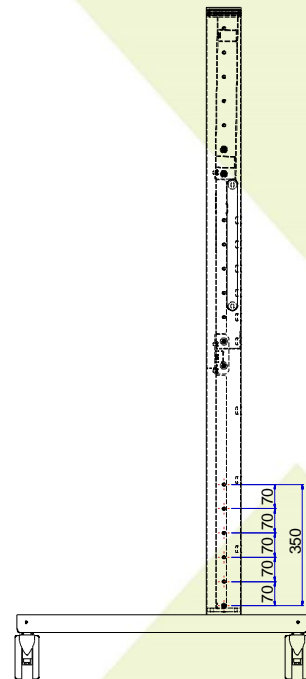
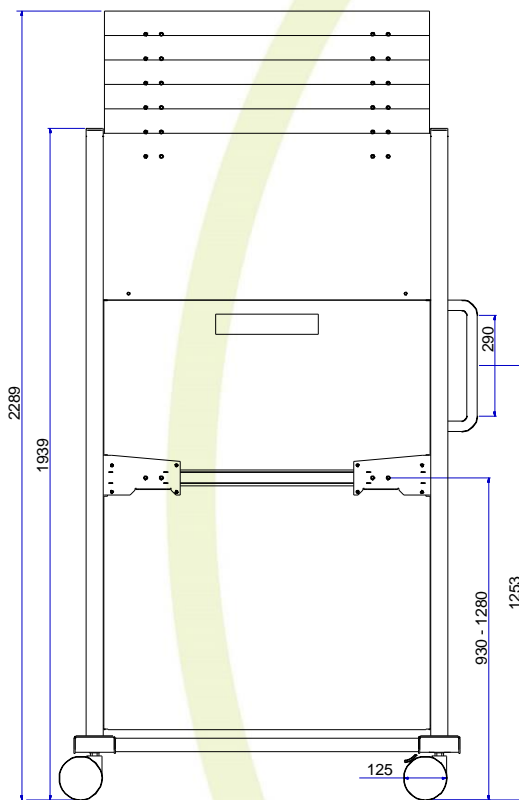
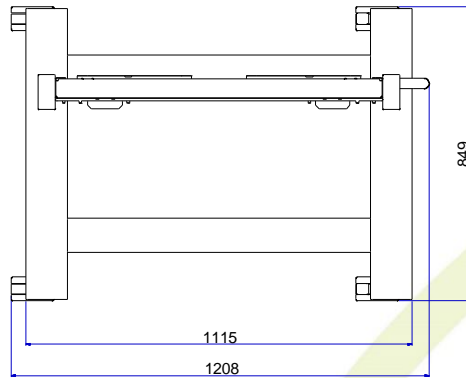
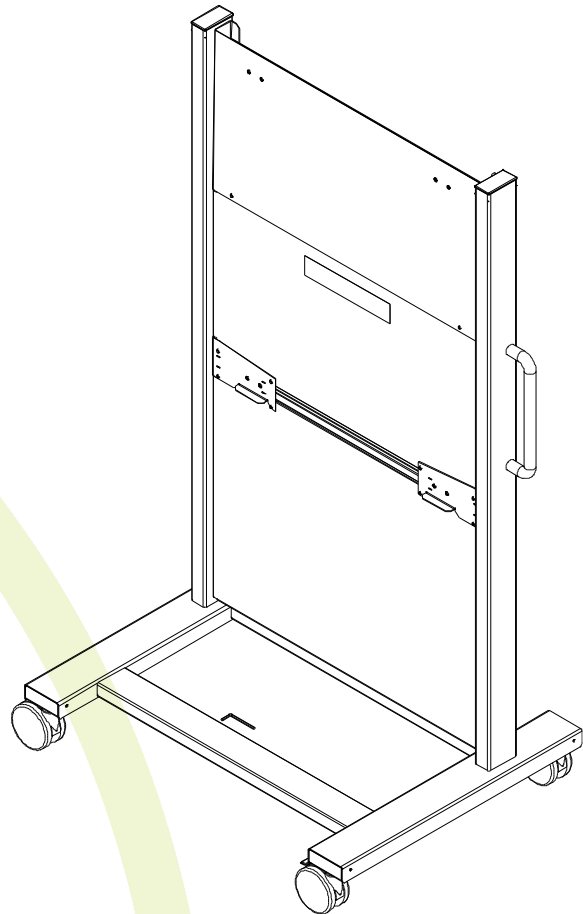
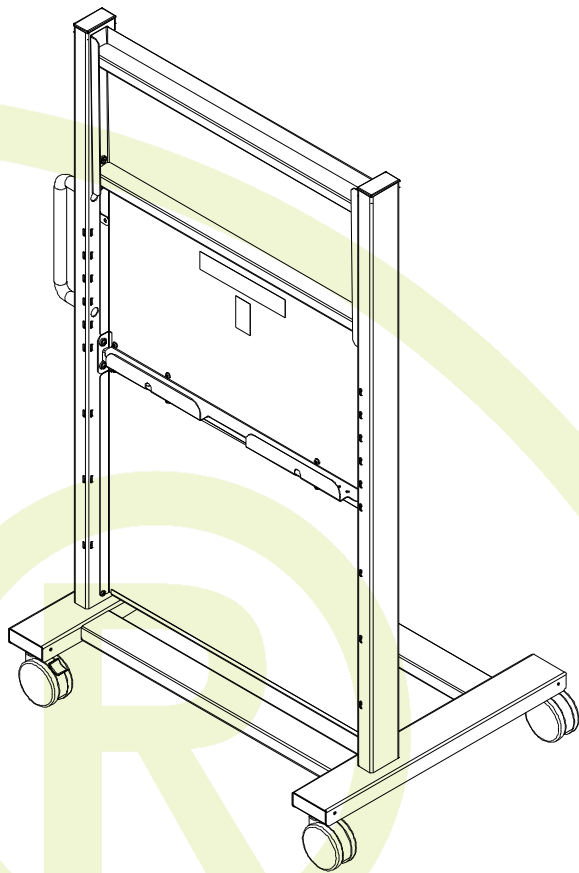


Product dimensions:



Weights & dimensions	Length mm	Width mm	Height mm	Weight kg	Length inch	Width inch	Height inch	Weight lbs
Shipping dimensions	1900	1200	300	100	74.8	47.25	12	220
Product dimensions	1208	849	1939-2289	72	47.5	33.4	76.3 – 90.1	168
Material / colour	Steel frame and covers, powder coated for corrosion resistance colour RAL9005 (textured black)							



**Included in the package:**

- BalanceBox® 650 Mobile Stand and multi-language manual
- Assembly by installer or customer, 2-piece frame and wheels

**Product features:**

- Steel frame powder coated black RAL9005, centre part can be set in height at assembly in five 70 mm (2.75") intervals
- 125mm (5") rubber non-marking wheels, 2 fixed, 2 pivoting. Brake on pivoting wheels.
- Large handle for safe and easy operation
- Holes in the back frame for cable management
- UL recognized
- CE certified

Compatible with BalanceBox® 650 product range and panels weighing up to 180kg / 396 lbs