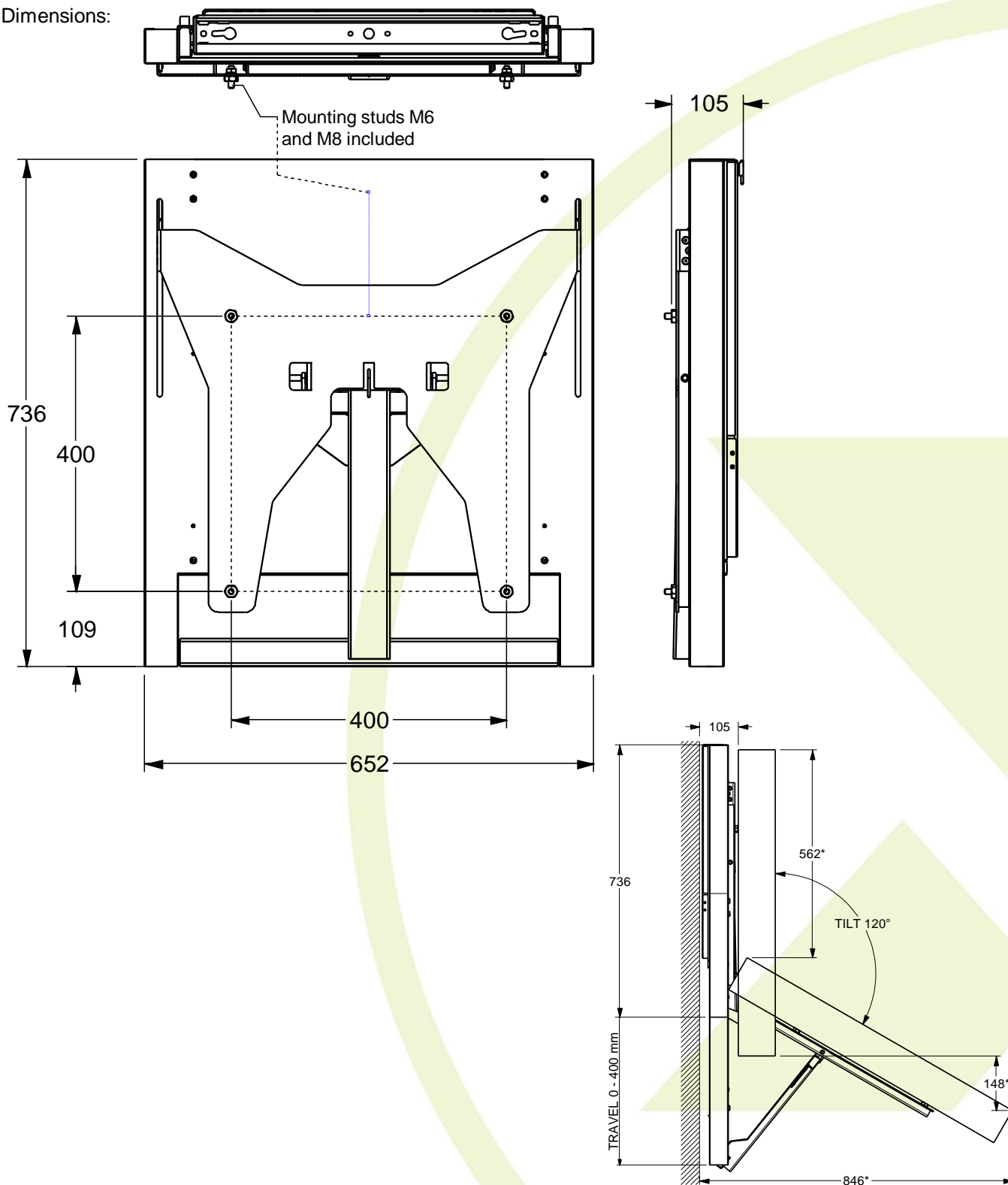


Dimensions:



V:20170313

Product Specifications					Shipping dimensions			
	value	metric units	US / imperial		value	metric units	US / imperial	
			value	units			value	units
Length	736	mm	29.0	inch	756	mm	29.7	inch
Width	652	mm	25.7	inch	672	mm	26.5	inch
Depth	105	mm	4.1	inch	125	mm	4.9	inch
Weight	18,5	kg	40,7	lbs	19,5	kg	42,9	lbs
Load capacity	65	kg	143	lbs				
Maximum screen size	55	inch						
Screen mounting (VESA)	400x400 (standard); 400x200 and 600x400 with adapter strips (included) M6 and M8 fasteners included							
Material	Sheet steel							
Finish	Powdercoated colour Grey-Aluminum RAL9007							

BalanceBox® 400 tilt Selection guide by screen weight

metric		US / imperial		Choose BalanceBox®	Order nr.
from - to	units	from - to	units		
<22,5	kg	<49.5	lbs	n.a.	n.a.
22,5 – 50,5	kg	49.5-111	lbs	BalanceBox® 400 - 70	480A02
47,5 – 73	kg	104.5 – 160.5	lbs	BalanceBox® 400 - 90	480A04

BalanceBox® 400 accessories

Description	Order nr.
BalanceBox® 400 Universal floor support white RAL9003 (UL registered)	481A42001
BalanceBox® 400 Mobile stand LWB black RAL9005	481A47002

NOTE:

The combination of: BalanceBox 400 Tilt and the Mobile stand will decrease the stability of the Mobile stand and can lead to unexpected situations.

The combination may no longer comply with basic safety requirements.

Please ask for the "Use of the BalanceBox® Tilt on a Mobile stand" datasheet for more information